

# Flying the Drone!



Last update: 25 Sep 23



# Preparing to Fly



- Download the DJI GO App
- Watch the Tutorial Videos
- Check the Battery Levels
- Charging the Batteries
- Preparing the Remote Controller
- Flight Controls
- Getting Ready for Takeoff
- Flight

# DJI GO App & Tutorial Videos

## 1. Download the DJI GO App

Search 'DJI GO' on the App Store or Google Play and download the DJI GO app to your mobile device.



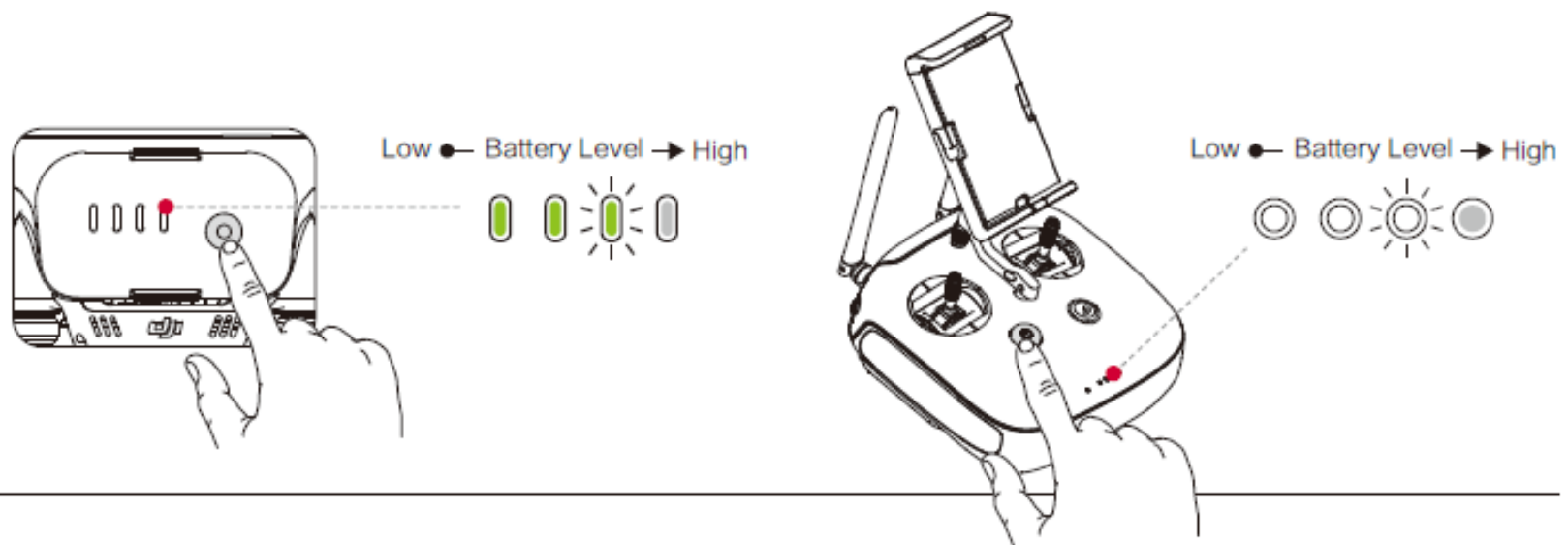
DJI GO app

- Before You Fly Tutorials
  - [Pre-flight Checklist - Part 1 of 3](#)
  - [Pre-flight Checklist - Part 2 of 3](#)
  - [Pre-flight Checklist - Part 3 of 3](#)

# Check the Battery Levels

## 3. Check Battery Levels

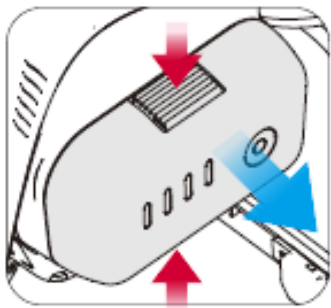
Pressing the Power Button once on either your Intelligent Flight Battery or Remote Controller displays the battery level. Be sure to fully charge both batteries before your first flight.



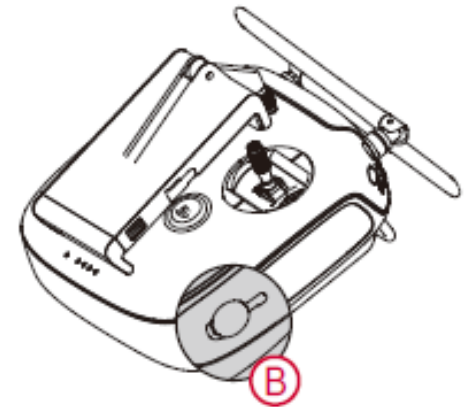
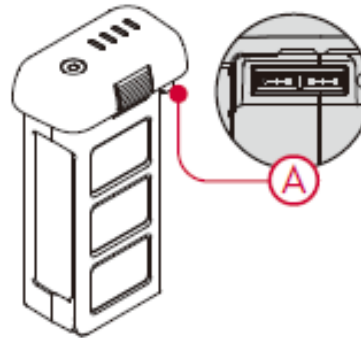
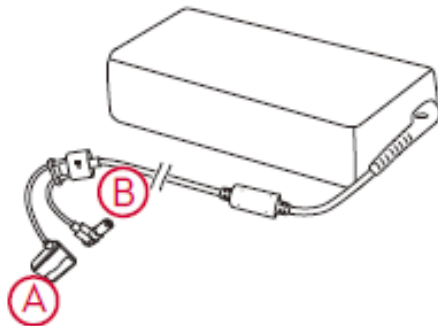
# Charging the Batteries

## 4. Charging the Batteries

- Only use the official DJI Phantom 3 Advanced charger. Remove the Intelligent Flight Battery from the aircraft before charging.
- It is recommended that you turn off the Intelligent Flight Battery or Remote Controller before charging.
- Connect the charger to a suitable power source (100-240V 50/60Hz).
- Connect the charger to the Intelligent Flight Battery or Remote Controller. The LEDs will display the current charge level, and when fully charged, they will automatically turn off.



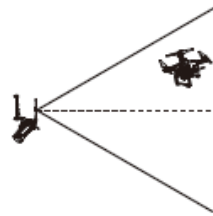
Remove the Intelligent Flight Battery



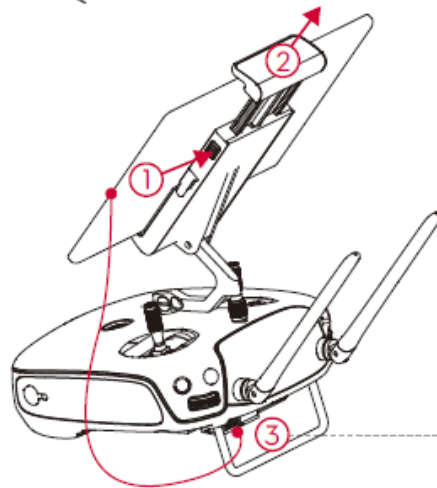
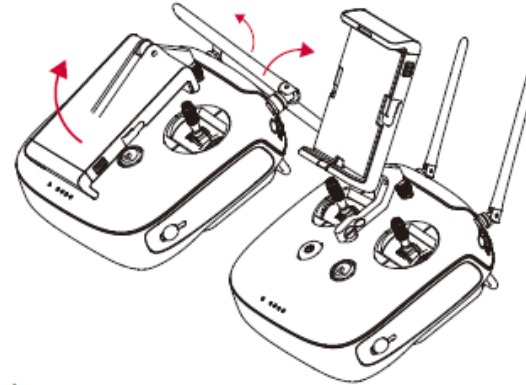
# Preparing the Controller

## 5. Preparing the Remote Controller

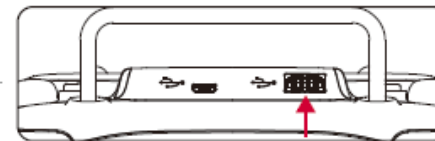
Tilt the Mobile Device Holder to the desired position, and then adjust the antennas as shown. The strength of the Remote Controller's signal will fluctuate depending on the positions of the antennas.



The transmission signal between the aircraft and Remote Controller will be strongest within the range illustrated here. If the signal is weak, adjust the positions of the antennas and fly the aircraft closer to achieve optimal signal performance.



- ① Press the button on the side of the Mobile Device Holder to release the clamp.
- ② Place your mobile device into the clamp and adjust it so that the mobile device is held securely in place.
- ③ Connect your mobile device to the Remote Controller with a USB cable. Plug one end of the cable into your mobile device, and the other end into the USB port on the back of the Remote Controller.



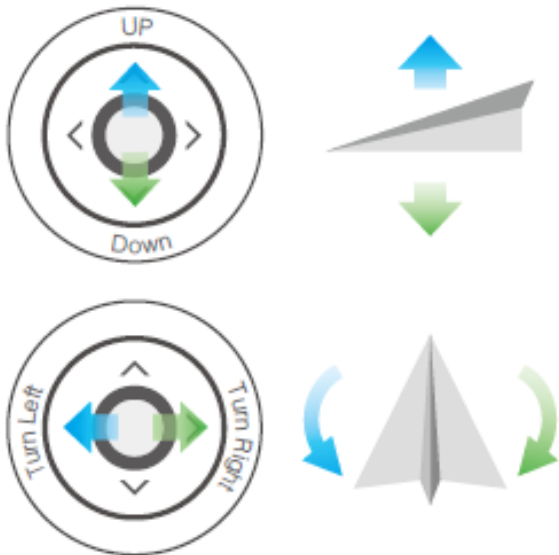
• To avoid signal interference, do not use other 2.4GHz devices when flying.

# Flight Controls

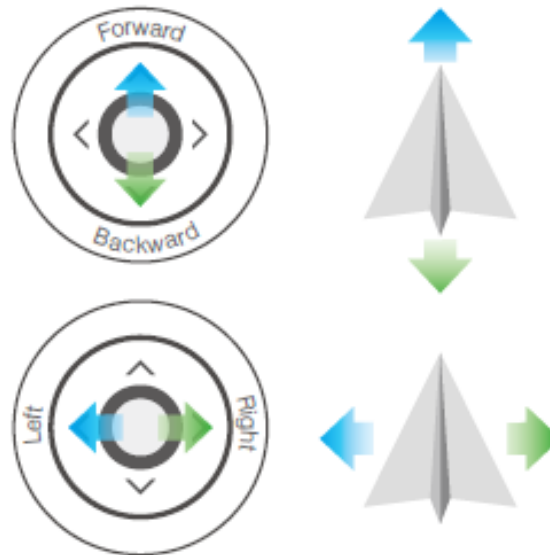
## 6. Flight Controls

Here are the default flight controls (Mode 2). The left stick controls altitude and rotation, while the right stick controls the forward, backward, left or right movements. The gimbal dial controls the camera's tilt.

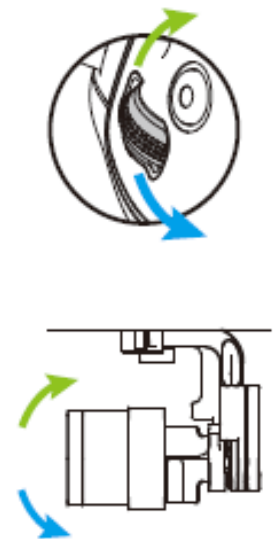
Left Stick



Right Stick



Gimbal Dial

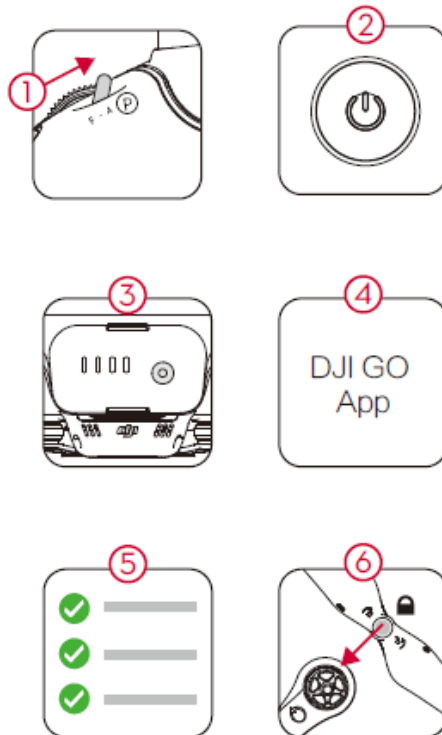
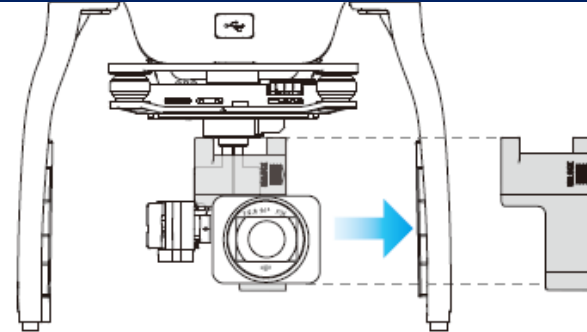


• You can customize or change these controls through the DJI GO app.

# Getting Ready for Takeoff

## 7. Getting Ready for Takeoff

Remove the gimbal clamp as shown on the right. Place your Phantom 3 Advanced on a flat surface, in an open space, with the nose facing away from you. Then follow the steps below in this order:



- 1 Toggle the Flight Mode Switch on your Remote Controller to the right (P Mode). P Mode is Positioning Mode, A Mode is ATTI Mode, and F Mode is Function Mode.
- 2 Turn on the Remote Controller by pressing the power button once, releasing it, and then pressing and holding for 2 seconds.
- 3 Insert the Intelligent Flight Battery into your Phantom 3 Advanced. Turn on the battery by pressing the power button once, releasing it, and then pressing and holding for 2 seconds.
- 4 Connect your mobile device to the Remote Controller with a USB cable and launch the DJI GO app. Follow the instructions within the app.
- 5 In the app, tap 'Camera'. Ensure your Phantom 3 Advanced is ready to fly by completing the on-screen Checklist. Beginner Mode is enabled by default when you launch the DJI GO app for the first time. The aircraft's altitude and flight distance are restricted when flying in Beginner Mode. You can disable Beginner Mode in the Settings Page of the DJI GO app.
- 6 Attach the propellers with a black nut onto the motors with black dot and spin them counter-clockwise to secure. Attach the propellers with a grey nut onto the motors without black dot and spin them clockwise to secure.



# Flight

## 8. Flight

### Safe to Fly ( GPS )

Before taking off, make sure the Aircraft Status Bar in the DJI GO app indicates 'Safe to Fly (GPS)' or 'Safe to fly (non-GPS)' if flying indoors.

- Auto Takeoff and Landing:

Your Phantom 3 Advanced can automatically takeoff and land at the tap of a button in the Camera screen of the DJI GO app.



Tap and slide to confirm automatic takeoff. The aircraft will automatically takeoff and hover at 4 feet (1.2 meters).



Tap and slide to confirm automatic landing. The aircraft will automatically land.

# Flight

- **Manual Takeoff and Landing (Stick configurations are for MODE 2):**

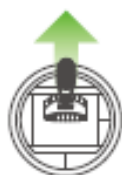
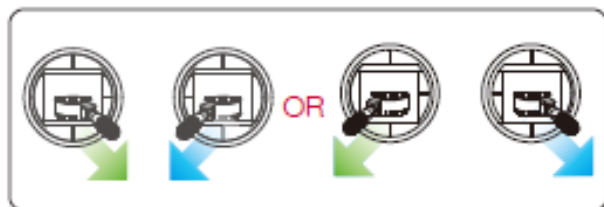
Start the motors by pulling both control sticks to the bottom inside (or outside) corners. Release the sticks once the motors start. Slowly push the left stick (throttle stick) up to takeoff.

To land, gently pull the left stick (throttle stick) down to lower the aircraft until it touches the ground. Then pull both sticks to the bottom inside corners to stop the motors.

Start / Stop the motors

Left stick up (Slowly)

Left stick down (Slowly)



- Never stop the motors mid-flight, otherwise the aircraft will crash. Only stop the motors when on the ground or as required in emergency situations to reduce the risk of damage or injury.
- You cannot takeoff if the Intelligent Flight Battery is not sufficiently charged and the Critical Low Battery Warning is active.
- The Intelligent Flight Battery must warm up if the outside temperature is low. A warning will appear in the DJI GO app in this scenario.
- Once spinning, the rotating propellers can be dangerous. Do not start the motors when there are people nearby and always fly in a wide-open area.
- Power off your Phantom 3 Advanced before switching off the Remote Controller after landing.

# Flight

## • Return to Home:

1. Press and hold the Return to Home Button on your Remote Controller until the LED surrounding the button starts blinking white and starts beeping. Your Phantom 3 Advanced will return to the set Home Point. Press the button once to stop the procedure.



RTH Button



The app's RTH Button

2. The DJI GO app will warn you if your Phantom 3 Advanced's battery level falls under a certain level. This warning threshold can be set in the app. The aircraft will land immediately if the battery power reaches a critical level and the Critical Low Battery Level Warning appears.
3. Failsafe: The Phantom 3 Advanced will enter Return to Home Mode if the signal to the Remote Controller is lost.



- While returning home, you can still control your Phantom 3 Advanced's altitude to avoid any obstacles.

# Safety - Before Flight

## CHOOSE THE RIGHT ENVIRONMENT

Open areas and areas with minimal signal interference are the best options. Choosing the right environment will significantly decrease the chances of crashing your drone.



## USE A FULLY CHARGED BATTERY

It is recommended to use a fully charged battery. If a battery has been stored for a long time, the performance of the battery may be degraded.



## CHECK THE PROPELLERS

Propellers create the thrust to make the aircraft fly, so it is crucial to check if the propellers have any dints, cracks or dirt on them.



# Safety - Before Flight

## CALIBRATE THE COMPASS

The compass determines flight orientation. Calibrating the compass before a flight is essential for safety.



## TURN ON THE REMOTE CONTROLLER FIRST

Switch on the controller before you power on the aircraft. This will ensure the aircraft is always under control.





# Flight



- Flying Tutorials
  - [How to Fly - Part 1 of 4](#)
  - [How to Fly - Part 2 of 4](#)
  - [How to Fly - Part 3 of 4](#)
  - [How to Fly - Part 4 of 4](#)



# Safety - After Flight

## POWER OFF THE AIRCRAFT FIRST

Upon landing, power off the aircraft first, then switch off the remote controller. This makes sure the aircraft is always under control until powering off.



## DON'T CHARGE THE BATTERY RIGHT AFTER A FLIGHT

After a flight, the battery's temperature is high. The Intelligent Flight Battery has a temperature detection sensor and will only charge when its temperature is between 0°C and 40°C.



## REMOVE THE PROPELLERS AFTER FLIGHT

After the flight, it is recommended to remove the propellers and store it properly to avoid damage due to bumps and knocks when in transit.



# Safety - After Flight

## ATTACH THE GIMBAL CLAMP AFTER A FLIGHT

After turning off the aircraft, please attach the gimbal clamp. This will effectively help to avoid any damage to your gimbal.



## STORE THE AIRCRAFT PROPERLY

After powering off the aircraft, please store the aircraft in a dry, cool and non-magnetic place to avoid any damage.

